

MT 420 H

NEW BUGGY



NEW BUGGY
SO ESSENTIAL!

 **MANITOU**
HANDLING YOUR WORLD

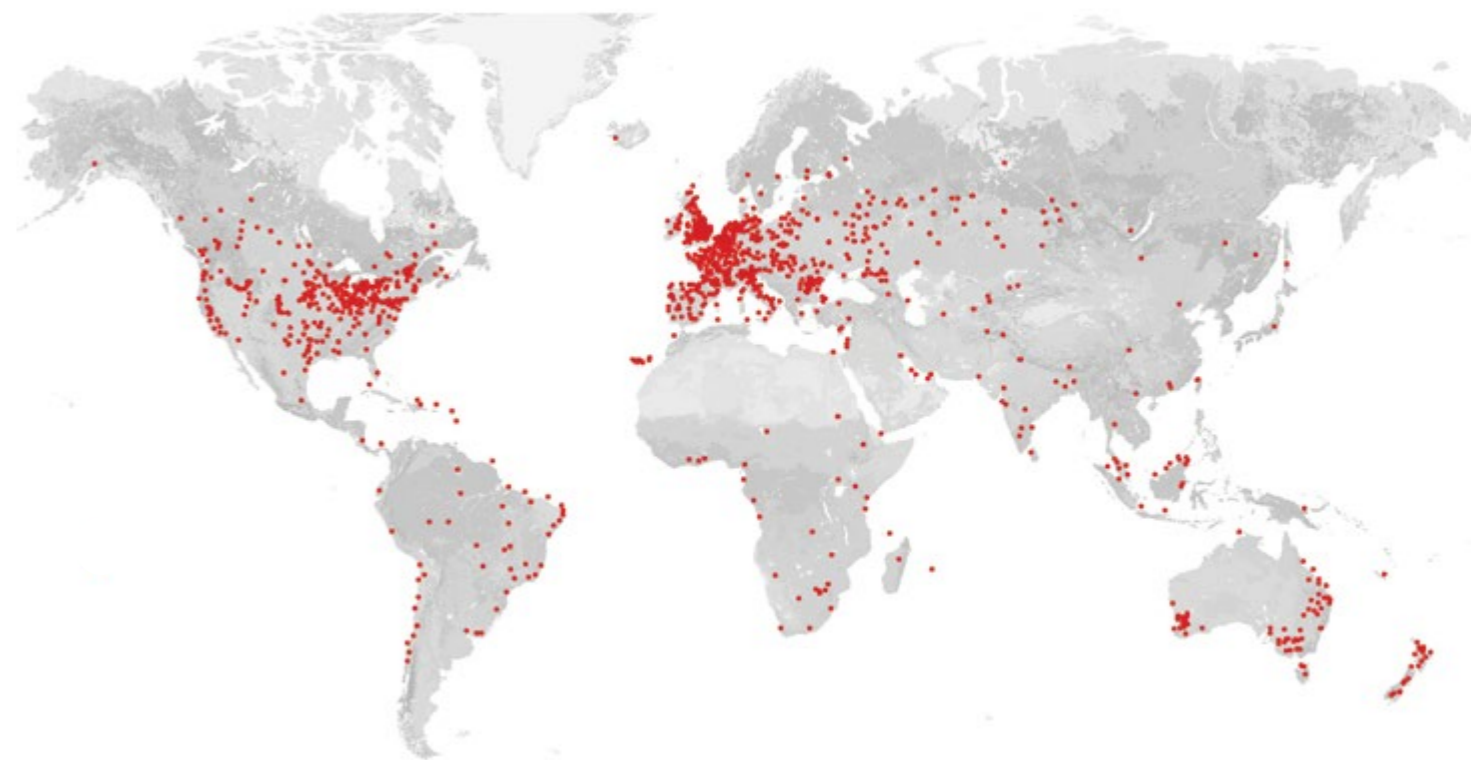
Handling your world

Founded over 60 years ago by the Braud family, the Manitou Group now operates worldwide. A world leader in all-terrain material handling, the Group designs, manufactures, distributes and services equipment for construction, agriculture and industries.

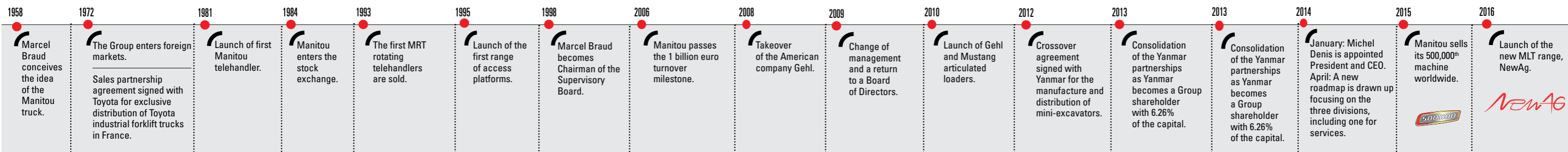
The Group's product ranges include, all-terrain fixed, rotating and heavy-load telehandlers; all-terrain, semi-industrial and industrial masted forklift trucks; wheel or track skid-steer loaders; access platforms; truck-mounted forklifts; warehousing equipment; and attachments.

Through its iconic brands – Manitou, Gehl and Mustang – and its worldwide network of 1,400 dealers, the Group offers the best solutions to create optimum value for its customers.

With headquarters in France, the Group recorded turnover of 1,335 billion euros in 140 countries in 2016, and employs 3300 people, all strongly focused on customer satisfaction.



- 21 subsidiaries
- 10 production facilities
- 3,300 employees worldwide
- 65% of the share capital held by the founding families
- 80% of revenue comes from foreign markets
- 1,335 billion euros of turnover in 2016



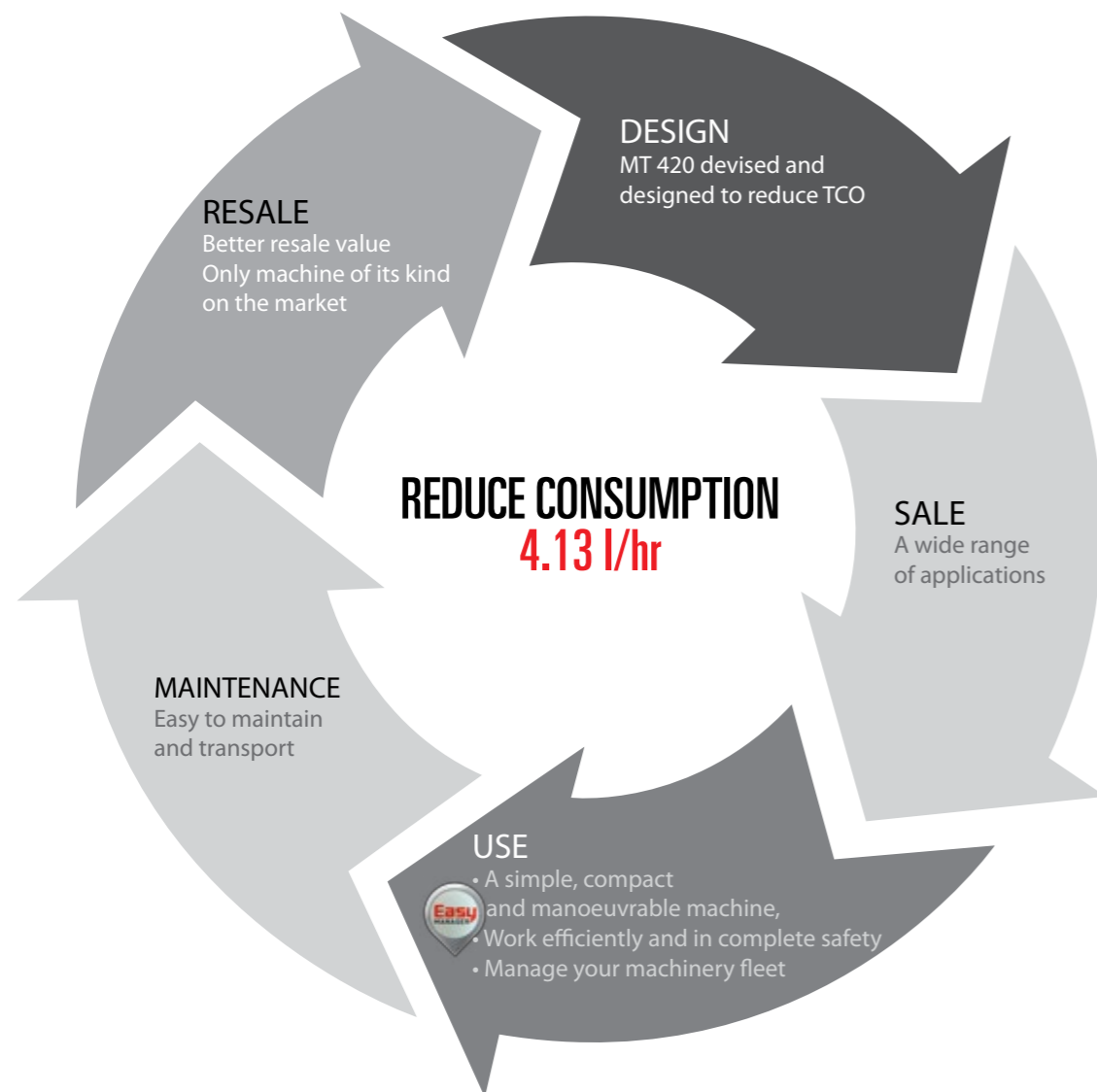


REDUCE THE MANITOU GROUP'S VISION

Manitou is the first manufacturer to state publicly figures related to the calculation of TCO (Total Cost of Ownership) for the ranges of telehandlers, aerial work platforms and masted forklift trucks.

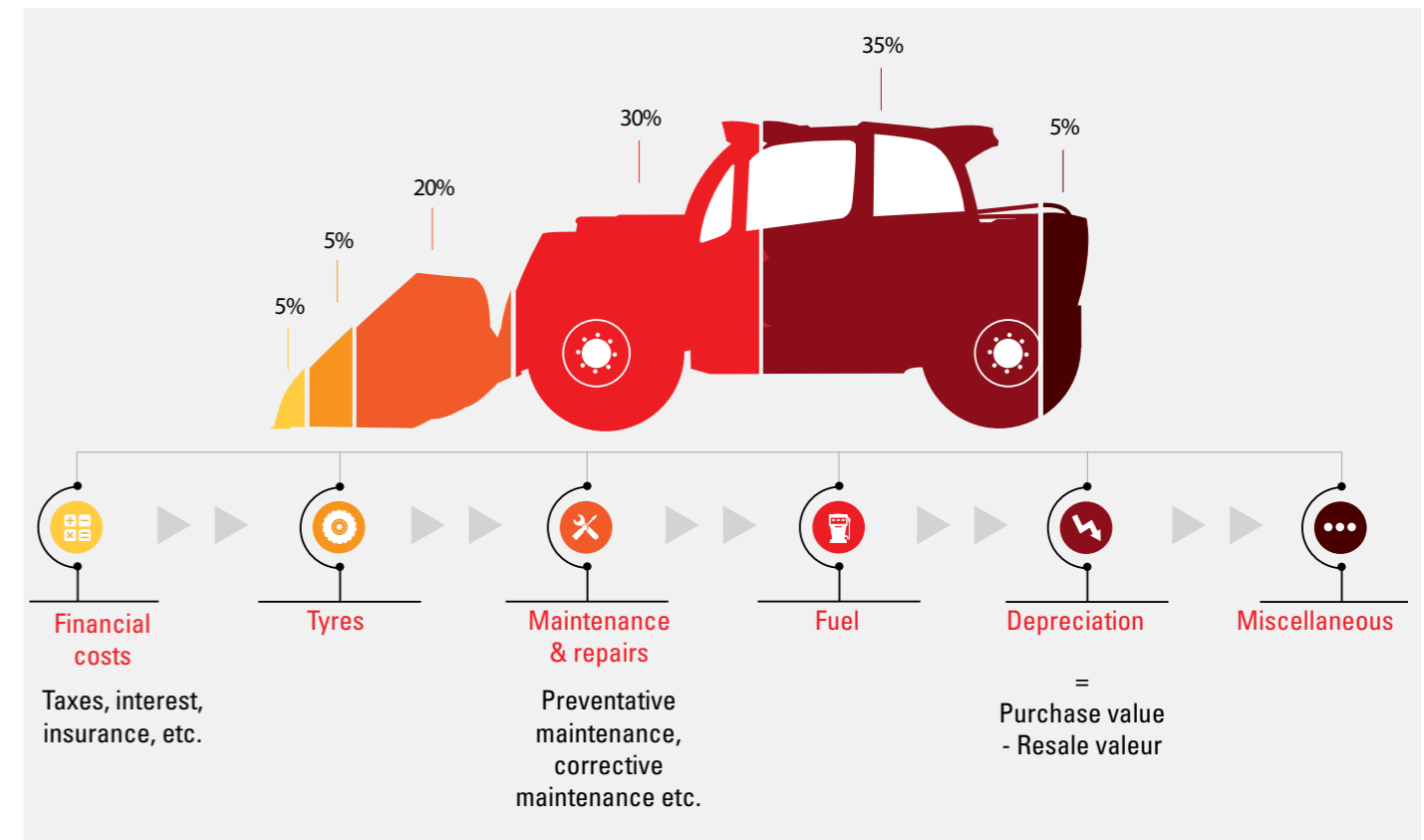
The REDUCE approach aims to improve our machine users' quality of life at work, whilst enhancing productivity and protecting the environment.

This calls for transparency of consumption data, reduced CO2 emissions, increased awareness of TCO and greater emphasis on the health and safety of users.



What does TCO stand for?

Le TCO is the total cost of ownership of an asset, more commonly known as the user cost. This indicator takes into consideration fixed costs (such as acquisition, interest, rent and residual value) and also variable costs linked to the use of your machine (such as maintenance and operator training).



Do you know the real cost of ownership of your equipment?

REDUCE TCO (Total Cost of Ownership) gives you detailed information about the breakdown of cost items for your machine and helps you to optimize the profitability of your production tool.



Calculate your TCO on tco.manitou.com

AN ULTRA-COMPACT & MANOEUVRABLE MACHINE

The 420 H New Buggy is the most compact telehandler in the MT Manitou range.

With its exceptional dimensions, the MT 420 H New Buggy is the ideal partner on any worksite! Capable of negotiating the most confined, uneven and difficult-to-access spaces, the MT 420 H New Buggy boasts four drive wheels and a turning radius of less than three metres.

Enjoy a compact, easily manoeuvrable machine which will help reduce your TCO!



< 2m with the compact rotating beacon light

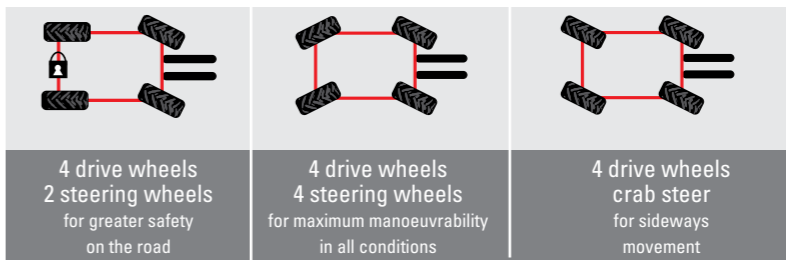
Max. capacity
2.0 t

Working outreach up to
2.65 m

Lifting height
4.30 m



An extremely manoeuvrable machine thanks to its three steering modes and very short turning radius: 2.98 m



A MULTI-PURPOSE MACHINE THAT IS **EASY TO USE**

Highly intuitive and easy to use, the MT 420 H New Buggy comes with a selection of attachments that offer users precisely the kind of versatility you need on a worksite.

Material vendors
Applications
Building
Renovation
Green spaces
Industries

Many attachments available



Frame mounted hook



Distributor bucket



Big Bag handler



2-in-1 sweeper

In addition to standard equipment with forks, Manitou also offers you a choice of attachments from among more than 100 references, a range that we are constantly developing.



Re-handling bucket (CBR)



Godet CB 4X1



Godet CBC



Fork carriage (PFB)



Maximize your profit, optimize your worksites!

The MT 420 H New Buggy is equipped with a standard Manitou tool holder. **Manitou approves the attachments, which meet all current standards and which will maximize your profits when calculating your TCO.**

Thanks to its 4.30m / 2.0 tonne lifting capacity and its compact size, **the MT 420 H New Buggy is the only machine of its kind on the market. Its versatility is a genuine asset, which will increase its resale value.**



Easy to use

The 420 H New Buggy has the same cab as the MT 625. The working environment is spacious and ergonomically designed. All controls are within easy reach.

The hydrostatic transmission, with gear change on the JSM[®], provides flexibility and precision.



Start-up in 10 seconds

Access the cab without a footboard.
Rapid seat adjustment.
Easy to get to grips with engine start-up and the JSM[®] joystick.



Manitou works hard to make your work easier

Thanks to the JSM[®] (Joystick Switch and Move), you can operate all hydraulic functions with just one hand, meaning you can keep one hand on the steering wheel at all times for maximum safety.

- 1 FNR (Front Neutral Reverse) button
- 2 Telescoping: extend or retract
- 3 Attachment hydraulic line
- 4 + and - buttons: gear change

- 5 **Forward:** lower boom
- 5 **Backward:** lift boom
- 5 **Left:** tilt up the attachment
- 5 **Right:** tilt down the attachment

EFFICIENCY & SAFETY GUARANTEED

The MT 420 H New Buggy provides you with same impressive level of efficiency and safety as the entire range of telehandlers. **Everything has been designed to ensure your machine is easy and safe to operate, whilst reducing all costs.**

Excellent
visibility
Perfect
stability



Proven performances & efficiency

- Very good load chart **capable of supporting up to 2 tonnes at 4.30m.**
- All-terrain machine that can adapt to the constraints of your worksite.
- **Proven reliability of the main structural components shared with the MT625** (cab, tyres, hydrostatic transmission, Kubota 49hp engine, axles, etc.).
- Maximum speed: 25kph.
- **Reinforced boom head** for use with bucket.
- "Fan Drive", hydraulic regulation of ventilation as standard for optimum engine cooling.

Guaranteed safety

- Thanks to the convenient position of the structural components, **you enjoy 360° visibility inside the cab.**
- The position of the structural components have been carefully studied to ensure **the machine is perfectly stable on all types of worksites.**
- Powerful disc brake on the universal joint which operates on both axles.
- Automatic parking brake to avoid any risk of accident.
- Front and rear cameras available (**optional**).
- Machine complies with EN 15 000 and ROPS/FOPS level I regulations.

EASY TO MAINTAIN AND TRANSPORT

The MT420 H New Buggy is a machine that is easy to maintain and transport. The entire machine has been designed and developed to ensure maintenance is simple and efficient.

You reduce
your maintenance
and transport
costs



- **Highly compact machine with easy access to the items requiring maintenance. Cost of preventive maintenance < €1 per hour.**
- The engine cover opens in two parts, making it easy to perform maintenance. The strengthened and removable cover is made of "Rimflex", an ultra-resistant material.
- Hydraulic oil change every 2,000 hours.
- **Corrective maintenance:**
 - Reduction of exposed parts/rear stop lights integrated in counterweight
 - Low frame steel door/protection of cylinders and hoses.
- Tie-down and slinging points identified and accessible.

STANDARD AND OPTIONAL EQUIPMENT

Choose the tyre profile suited to your activity



Standard all-terrain tyre
Camso 12-16.5 SKS



Optional tyre with reinforced sidewall
Camso 12-16.5 SKS HAULER



Optional tyre for hard surfaces or grass
Camso 12-16.5 SKZ HAULER



Optional all-terrain tyre
Michelin 305/70R16.5 BibSteel All terrain



Optional tyre for hard surfaces
Michelin 305/70R16.5 BibSteel Hard Surface

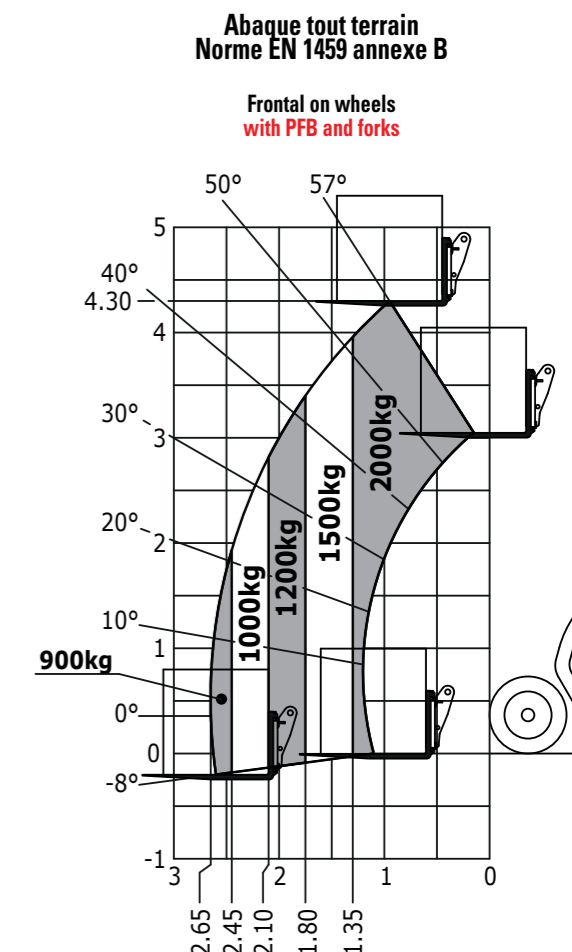


Choose your standard or optional equipment

S: standard / O: option / -: unavailable

Driver's cab	MT 420 H	MT 420 H COMFORT
Completely closed cab with heating and demisting (ROPS/FOPS level I)	S	S
Air-conditioning	-	O
Roof windscreen wiper	-	S
Adjustable steering column	O	S
Roof light	-	S
Car radio predisposition	-	S
CD/MP3 car radio	-	O
Rear electric windscreen defrost	-	O
Front and rear windscreen wipers with washer	S	S
JSM* (Joystick Switch and Move)	S	S
Slow/quick gear selector on JSM	S	S
Adjustable seat with waterproof coating	S	S
Adjustable fabric seat	O	O
Sun visor and roof curtain	O	S
Internal rear-view mirror	O	O
Safety components		
Front and rear wheel alignment warning light	S	S
Hydraulic movement cut-off	S	S
Lights: main beam headlights, stop lights, indicator lights, fog light, reversing light	S	S
Front and rear working lights	O	S
Windscreen grill	O	O
Other		
Hydraulic system on boom head	O	S
Hydraulic locking of attachments	O	O

Max. capacity	2 000 kg
Max. lifting height	4.30 m
Max. outreach	2.65 m
Break-out force with bucket (ISO 8313)	1886 daN
Engine brand	Kubota stage 3A
Power	49 ch/36kw
Laden drawbar pull	2850 daN
Transmission	Hydrostatic
Hydraulic pump	65l /min-235 bar
Engine oil tank	10.2 l
Hydraulic oil	70 l
Fuel	60 l
Unladen weight (with forks)	4260 kg
Overall width	1.49 m
Overall height	1.90 m
Overall length to carriage	3.63 m
Crowd angle	12°
Dump angle	116°
Turning radius (over tyres)	2.98 m
Ground clearance	0.24 m
Safety	16.5'





Daily expertise and service

Your Manitou dealer offers a complete range of services at all stages of your machine's life. The dealer will support you and adapt to your needs in order to provide the best solution to meet your requirements.



1,400 dealers at your service

The Manitou network operates in more than 140 countries. In total, we employ more than 2,000 expert technicians, specially trained in Manitou technology, who are at your service to assist with everything from purchasing to after-sales.



Dealership network

A network of experts at your service, whatever your activity (agriculture, construction, industry).

Maintenance contracts

We offer three levels of contract to meet with your needs: Initial, Advanced and Excellence. Rest easy and leave the maintenance to your official Manitou dealer.

Financing

Lease or buy? Manitou Finance helps you choose the most suitable financing solution for your activity. Why look elsewhere?

Warranty extension

With Maniplus, you can extend the cover of your Manitou warranty for up to 5 years. Use your equipment with peace of mind.

The connected solution

Easy Manager is a simple and flexible tool for managing, optimising and securing the operational monitoring of your machines.

Second-hand equipment

In the market for second-hand equipment? The Manitou network is here to help. Just visit manitou.used.com, our dedicated reference site for second-hand Manitou machines.

Original spare parts

With more than 70,000 products available, your Manitou dealer offers daily expertise and service!

Your dealer:



Registered office

B.P. 249 - 430 rue de l'Aubinière - 44158 Ancenis Cedex - France

Tel: +33 (0)2 40 09 10 11 - Fax: 00 33 (0)2 40 09 10 97

www.manitou.com



This publication provides a description of the configuration versions and options for Manitou products, which may differ for equipment. The equipment presented in this brochure may be part of a series, as an option, or it may not be available, depending on the versions. Manitou reserves the right, at any time and without notice, to amend the specifications described and represented. The specifications provided do not bind the manufacturer. For more details, please contact your Manitou agent. This is not a contractually binding document. The presentation of the products is not contractually binding. List of specifications non-exhaustive. The logos as well as the visual identity of the company are owned by Manitou and cannot be used without authorisation. All rights reserved. The photos and diagrams contained in this brochure are only provided for consultation and information purposes.

MANITOU BF SA - Limited company with board of directors - Share capital: 39 547 824 euros - 857 802 508 RCS Nantes